

# Datasheet

## Suction cup B20MF Thermoelastic polyurethane, G1/8" male, with mesh filter

Item number: B20MF.40.02AB



- Suction cup of TPU, a mark free material that leaves no trace on the object being handled.
- Suitable for level adjustment.
- Lifting movement to separate small and thin objects.
- Only lightweight objects should be handled when the lifting force is parallel to the surface.

### Technical data

Description	Unit	Value
Suction cup shape	-	Bellows
Application	-	Mark Free
Suction cup design	-	Round
Characteristics	-	Mark free
Material	-	TPE
Weight, min.	oz	0.071
Suction cup model	-	B-MF
Volume	in <sup>3</sup>	0.16
Height	in	1.22
Outer diameter, min.	in	0.90
Outer diameter, actuated	in	0.94
Fitting size	-	1/8"
Fitting option	-	Filter mesh
Fitting style	-	Male
Fitting type	-	G-thread
Suction cup model	-	B20MF
Movement, vertical max.	in	0.29
Curve radius, min.	in	0.43

### Performance - Lifting forces

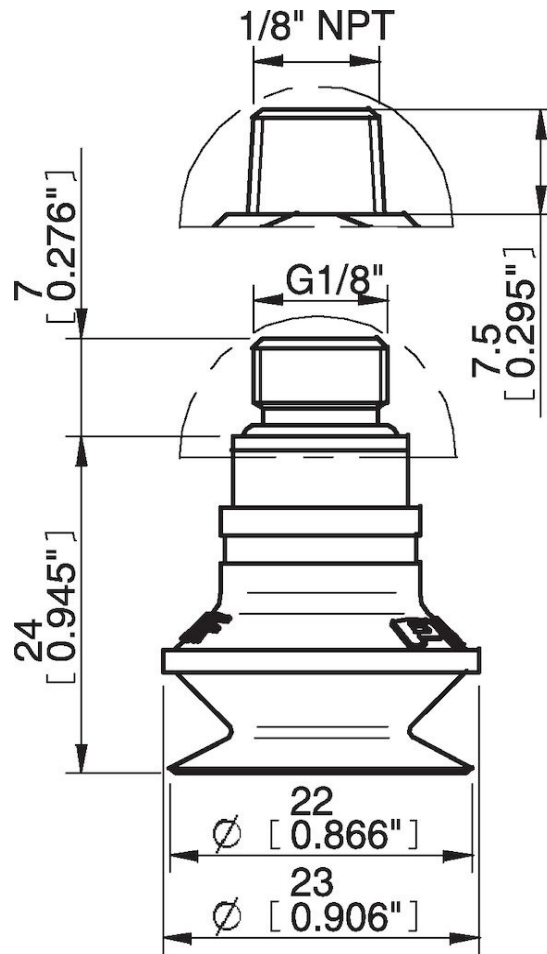
B20MF	Vertical (lb)	Parallel (lb)
5.91 -inHg	1.012	1.42
17.72 -inHg	3.48	2.47
26.58 -inHg	4.72	4.27

Material	
Name	Thermoplastic Polyurethane (TPE-U)
Color	White transparent
Temperature, min.   °F	-4.0
Temperature max.   °F	176.0
Hardness   °Shore A	81

### Material resistance

Alcohol	Good
Concentrated acids	Poor
Ethanol	n/a
Hydrolysis	Poor
Methanol	n/a
Oil	Excellent
Oxidation	Good
Gasoline	Poor
Wear resistance	Excellent
Weather and ozone	Excellent

### Dimensional drawings



### Values specified in this data sheet are tested at (unless otherwise stated):

- Room temperature (20°C [68°F] ± 3°C [5.5°F]).
- Standard atmosphere (101.3 [29.9 inHg] ± 1.0 kPa [0.3 inHg]).
- Relative humidity 20-70%.
- Compressed air quality, DIN ISO 8573-1 class 4.

**Accessories**

02AE | Fitting 5xM5 female

02AF | Fitting G1/8" male/M5 female, with mesh filter

02AA | Fitting M5 female

02AD | Fitting G1/8" male/M5 female

02AC | Fitting 1/8" NPT male, with mesh filter

02DA | Fitting M5 female, with dual flow control valve

02DC | Fitting 1/8" NPT male, with dual flow control valve

02DD | Fitting G1/8" male/M5 female, with dual flow control valve

02DE | Fitting 5xM5 female, with dual flow control valve

**Spare parts**

B20MF.40 | Suction cup B20MF Thermoelastic polyurethane

02AB | Fitting G1/8" male, with mesh filter