

# Datasheet

## Suction cup B15MF Thermoelastic polyurethane, M5 male

Item number: B15MF.40.01AC



- Suction cup of TPU, a mark free material that leaves no trace on the object being handled.
- Suitable for level adjustment.
- Lifting movement to separate small and thin objects.
- Only lightweight objects should be handled when the lifting force is parallel to the surface.

### Technical data

Description	Unit	Value
Suction cup shape	-	Bellows
Application	-	Mark Free
Suction cup design	-	Round
Characteristics	-	Mark free
Material	-	TPE
Weight, min.	oz	0.046
Suction cup model	-	B-MF
Volume	in <sup>3</sup>	0.067
Height	in	1.10
Outer diameter, min.	in	0.63
Fitting size	-	M5
Fitting option	-	None
Fitting style	-	Male
Fitting type	-	M-thread
Suction cup model	-	B15MF
Movement, vertical max.	in	0.079
Curve radius, min.	in	0.43

### Performance - Lifting forces

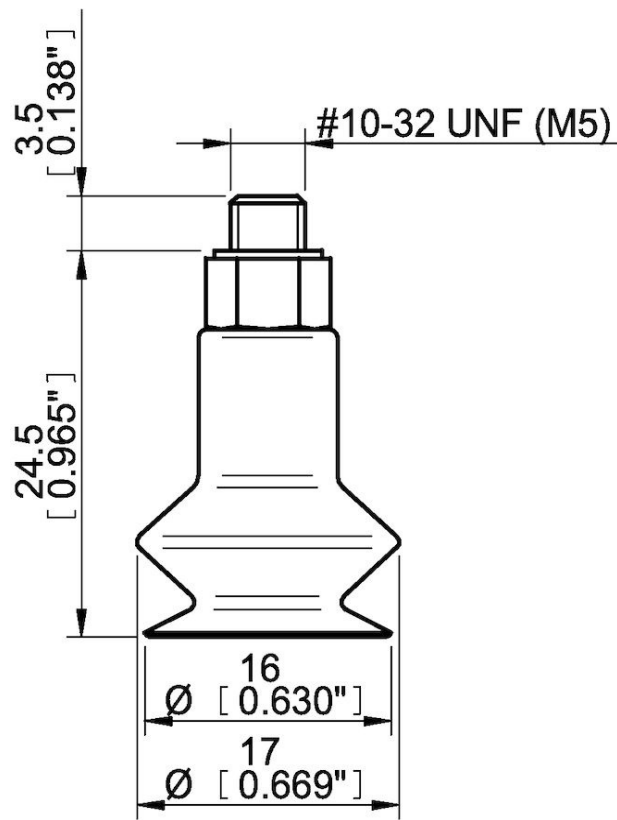
B15MF	Vertical (lb)	Parallel (lb)
5.91 -inHg	0.90	1.012
17.72 -inHg	1.80	1.57
26.58 -inHg	2.70	2.25

Material	
Name	Thermoplastic Polyurethane (TPE-U)
Color	White transparent
Temperature, min.   °F	-4.0
Temperature max.   °F	176.0
Hardness   °Shore A	81

### Material resistance

Alcohol	Good
Concentrated acids	Poor
Ethanol	n/a
Hydrolysis	Poor
Methanol	n/a
Oil	Excellent
Oxidation	Good
Gasoline	Poor
Wear resistance	Excellent
Weather and ozone	Excellent

### Dimensional drawings



### Values specified in this data sheet are tested at (unless otherwise stated):

- Room temperature (20°C [68°F] ± 3°C [5.5°F]).
- Standard atmosphere (101.3 [29.9 inHg] ± 1.0 kPa [0.3 inHg]).
- Relative humidity 20-70%.
- Compressed air quality, DIN ISO 8573-1 class 4.

### Spare parts

01AC | Fitting M5 male, 10–15  
 R15MF 40 l Suction cup R15MF Thermoelastic polyurethane