

## Suction cup B110-2 Silicone FCM with washer

Item number: B110-2.21



- The silicone material complies with FDA 21 CFR 177.2600 & EU 1935/2004.
- Suitable for level adjustment. Several short bellows in one lifting device can handle objects with height differences and varying shapes, for example embossed or corrugated plates.
- Lifting movement to separate small and thin objects.
- Only lightweight objects should be handled when the lifting force is parallel to the surface of the object, in order to achieve good precision and safe lifting movement.

### Technical data

Description	Unit	Value
Suction cup shape	-	Bellows
Application	-	Food contact materials (FDA & EU), non-detectable
Suction cup design	-	Round
Characteristics	-	Food contact materials (FDA & EU), non-detectable
Material	-	Silicone (SIL)
Weight, min.	oz	4.23
Suction cup model	-	B
Volume	in <sup>3</sup>	18.92
Height	in	2.14
Outer diameter, min.	in	4.53
Fitting size	-	None
Fitting option	-	None
Fitting style	-	None
Fitting type	-	None
Suction cup model	-	B110
Movement, vertical max.	in	1.36
Curve radius, min.	in	2.36

### Performance - Lifting forces

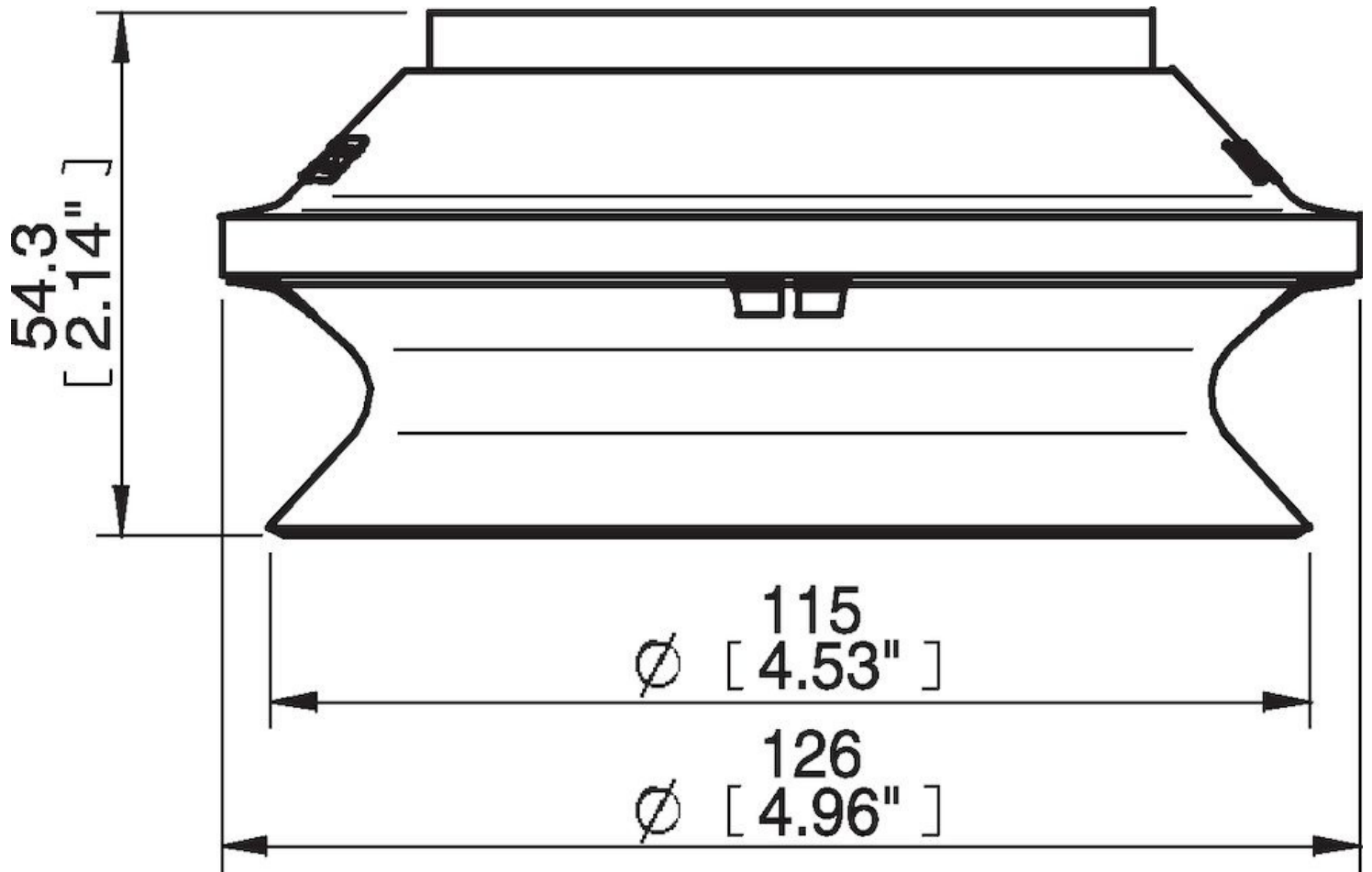
B110	Vertical (lb)	Parallel (lb)
5.91 -inHg	30.80	
17.72 -inHg	77.11	
26.58 -inHg	103.64	

Material	
Name	Silicone (SIL FDA) 50° Shore
Color	Transparent
Temperature, min.   °F	-40.0
Temperature max.   °F	392.0
Hardness   °Shore A	50

### Material resistance

Alcohol	Good
Concentrated acids	Poor
Ethanol	n/a
Hydrolysis	Fair
Methanol	n/a
Oil	Poor
Oxidation	Excellent
Gasoline	Poor
Wear resistance	Good
Weather and ozone	Excellent

### Dimensional drawings



### Values specified in this data sheet are tested at (unless otherwise stated):

- Room temperature (20°C [68°F] ± 3°C [5.5°F]).
- Standard atmosphere (101.3 [29.9 inHg] ± 1.0 kPa [0.3 inHg]).
- Relative humidity 20-70%.
- Compressed air quality, DIN ISO 8573-1 class 4.

### Accessories

- 11NB | Fitting 110, 3/8" NPSF female, with mesh filter
- 11NC | Fitting 110, G1/2" female, clamp ring with mesh filter