

Datasheet

Vacuum switch, inductive universal, preset (Signal range 3.0 -inHg)

Item number: 31.16.089

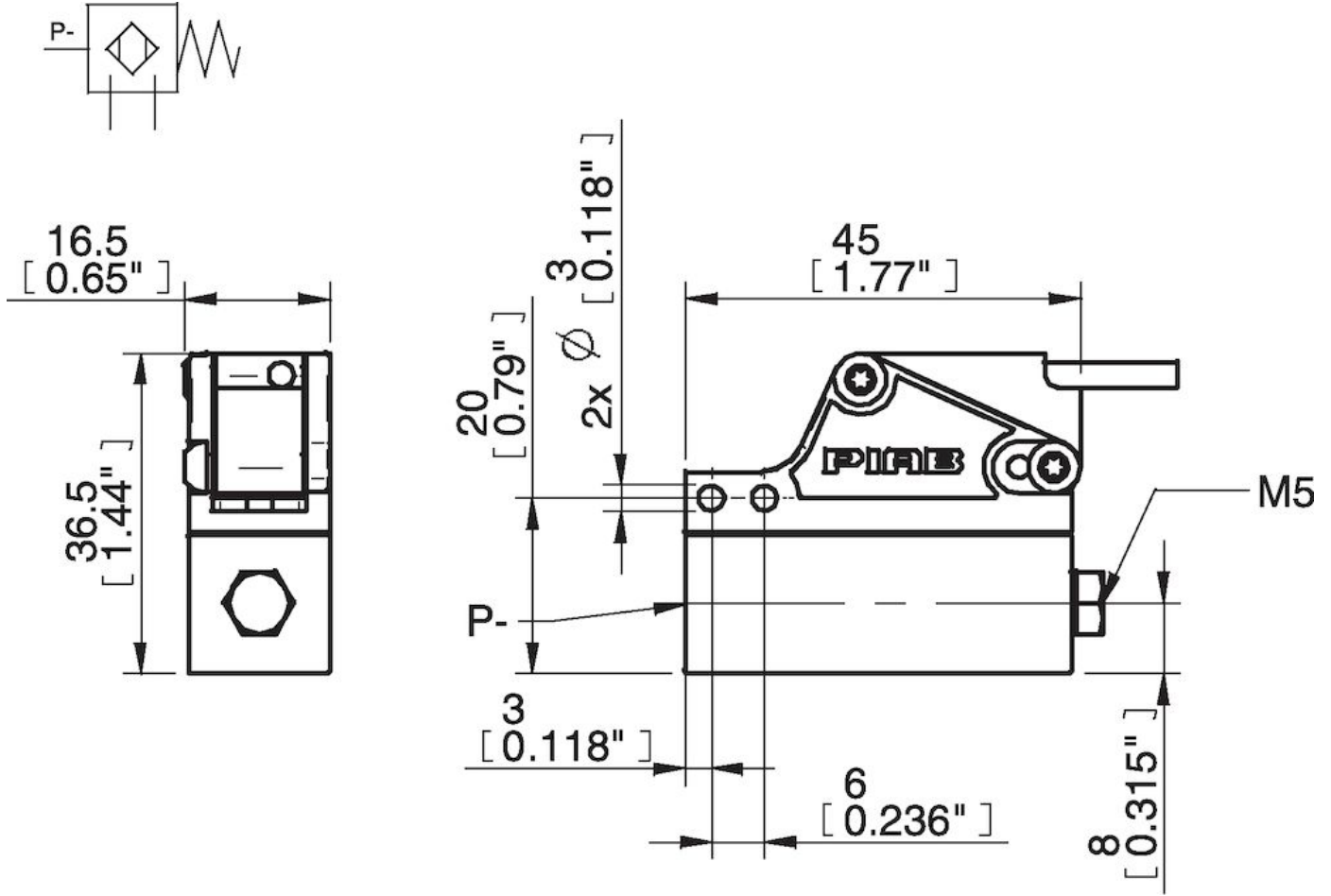


- Converts a vacuum level to an digital signal, 24 VDC.
- Vacuum-actuated membrane linked to a proximity-inductive universal switch.
- Integrated cable with open ends included.
- PNP NO/NC or NPN NO/NC output functions.
- The switch must be connected in series with the load.

Technical data

Description	Unit	Value
Material	-	Al, CuZn, Nitrile (NBR), PA, PBTP, POM, PVC, SS
Temperature, max.	°F	176.0
Temperature, min.	°F	-13.0
Weight, min.	oz	2.50
Cable specification	-	2 x 0.14 mm ² x 2m(6.56 ft)
Current, max.	mA	200
Pressure, max.	psi	0.087
Safety classification	-	IP67
Voltage	VDC	24 (5-36)
Valve function	-	PNP NO/NC, NPN NO/NC
Hysteresis	psi	0.29
Signal range, max.	-inHg	3.25
Signal range, min.	-inHg	2.66
Height	in	1.44
Length	in	0.65
Width	in	1.87
Voltage drop, max	VDC	4.6

Dimensional drawings



Accessories

01.00.488 | Connection set for vacuum switch