

# Datasheet

## Vacuum switch, electro-mechanical, adjustable with screw and knob

Item number: 31.16.061

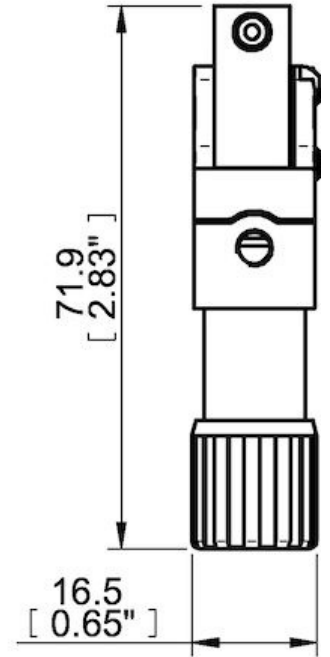
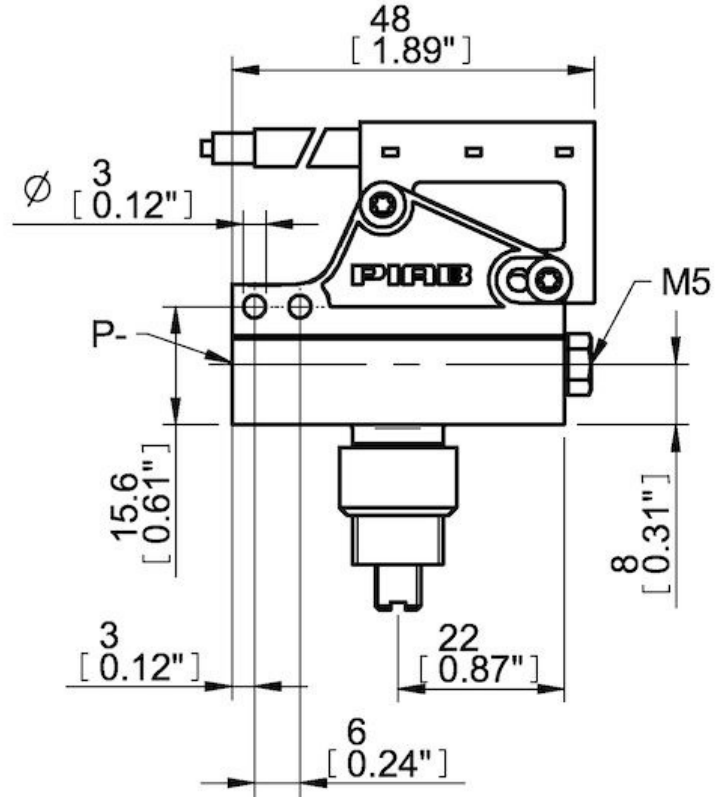
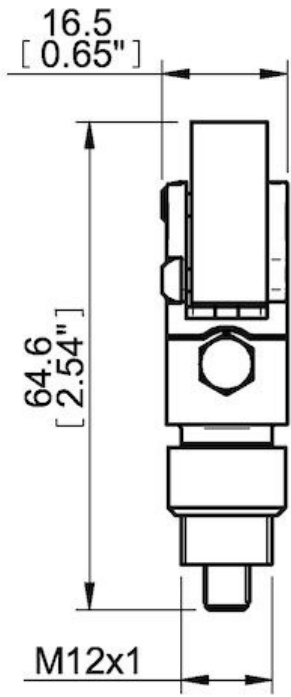
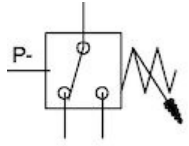


- Converts a vacuum level to an electric signal, VAC or VDC.
- Vacuum-actuated membrane linked to an electro-mechanical switch.
- Integrated cable with open ends included.
- Available preset or with adjustable vacuum level.

### Technical data

Description	Unit	Value
Material	-	Al, CuZn, Nitrile (NBR), PA, PBTP, POM, PVC, SS
Temperature, max.	°F	176.0
Temperature, min.	°F	-4.0
Weight, min.	oz	2.19
Cable specification	-	2 x 0.14 mm <sup>2</sup> x 0.5m(1.84 ft)
Current, max.	mA	5000
Feed pressure, max. (@ vacuum connection)	psi	0.087
Safety classification	-	IP67
Valve function	-	NO, NC
Hysteresis	psi	1.45
Signal range, max.	-inHg	28.054
Signal range, min.	-inHg	4.43
Height	in	2.54
Length	in	0.65
Width	in	1.89
Voltage, max.	VAC, VDC	250/30

Dimensional drawings



Accessories

01.00.488 | Connection set for vacuum switch