

Datasheet

Vacuum switch, pneumatic, adjustable with screw (NC)

Item number: 31.16.014

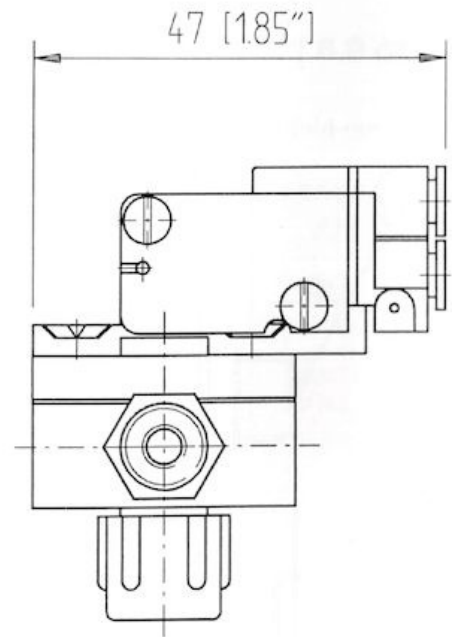
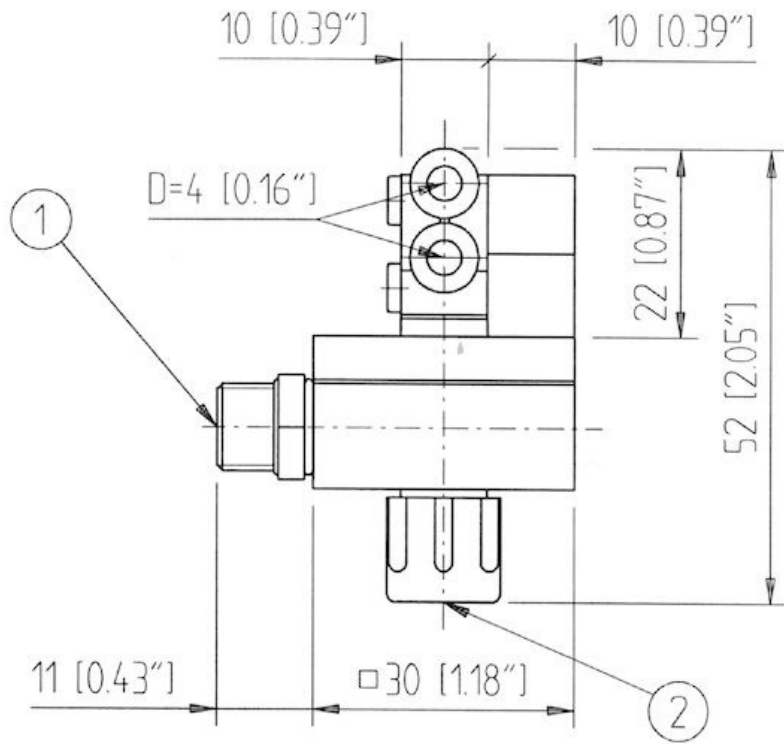


- Converts a vacuum level to a pneumatic signal.
- Vacuum-actuated membrane linked to a pneumatic switch.
- Available preset or with adjustable vacuum level.

Technical data

Description	Unit	Value
Material	-	Al, NBR (FKM), SS
Temperature, max.	°F	140.0
Temperature, min.	°F	14.0
Weight, min.	oz	2.29
Feed pressure, max.	psi	0.087
Valve function	-	NC
Feed pressure, optimum, max.	psi	0.12
Feed pressure, optimum, min.	psi	0.022
Hysteresis	psi	0.44
Signal range, max.	-inHg	23.92
Signal range, min.	-inHg	59.95

Dimensional drawings



1. Vacuum Connection
G 1/8" ext., M5 [10-32 NPS] int.
(G 1/8" will fit 1/8" NPS)
2. Adjustment Screw