

## Vacuplus MINI Pi12-2

Item number: 02.23.778



### Technical data

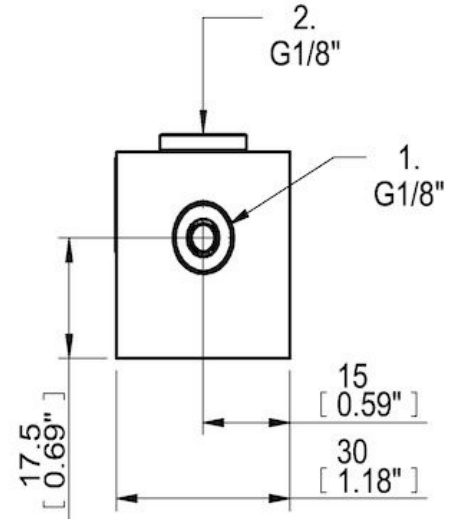
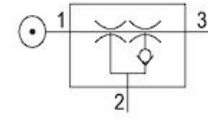
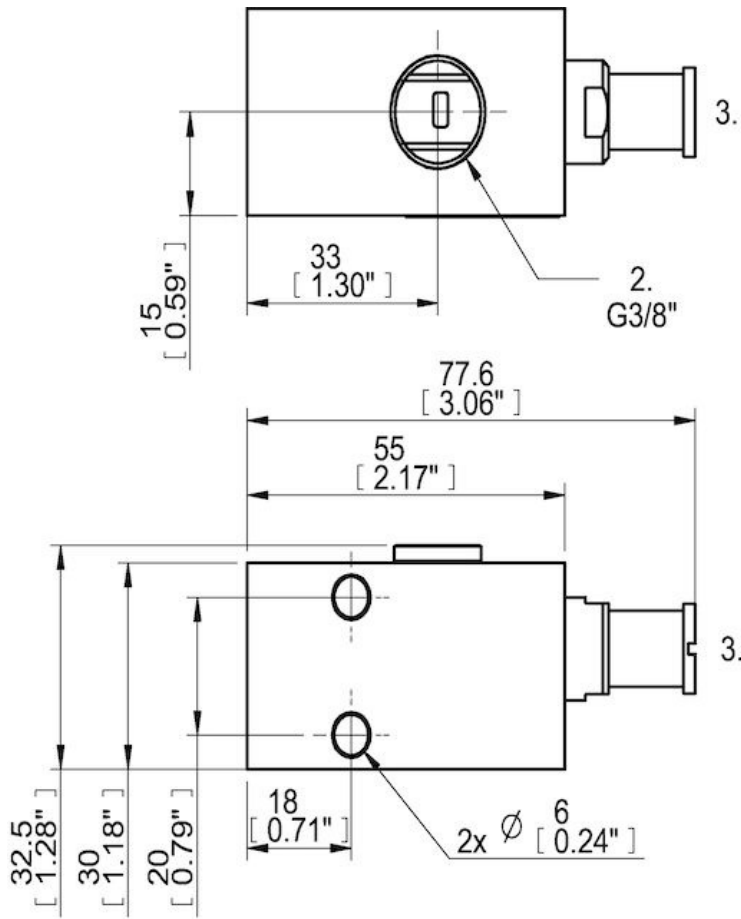
Description	Unit	Value
Material	-	Al, Nitrile (NBR), POM, SS
Temperature, max.	°F	122.0
Temperature, min.	°F	14.0
Weight, max.	oz	2.54
Feed pressure, max.	psi	0.10
Noise level, max.	dBA	74
Noise level, min.	dBA	60

### Performance

Feed pressure psi	Air consumption scfm	Vacuum flow (scfm) at different vacuum levels (-inHg)												Max vacuum psi	
		0	2	5	8	11	14	17	20	23	26	29	32		35
45.53	0.93	0.20	0.18	0.13	0.080	0.056	0.041	0.030	0.018	0	0.0089	0	0	0	≥13.050

Feed pressure psi	Air consumption scfm	Evacuation time (s/cf) to reach different vacuum levels (-inHg)										Max vacuum psi			
		2	5	8	11	14	17	20	23	26	28		29	29	29
45.53	0.93	0.050	0.094	0.17	0.32	0.53	0.80	1.18	1.89	0	0	0	0	0	≥13.050

## Dimensional drawings



Values specified in this datasheet are tested at (unless otherwise stated):

- Room temperature (20°C [68°F] ± 3°C [5.5°F]).
- Standard atmosphere (101.3 [29.9 inHg] ± 1.0 kPa [0.3 inHg]).
- Compressed air quality, DIN ISO 8573-1 class 4.

Tolerance and accuracy:

- Feed pressure tolerance ±0.02 MPa [2.9 psi]
- Vacuum flow/evacuation time accuracy ±10%.