

piSTAMP Enhanced Blow-Off STX0785x2, 8-8mm

Item number: 02.12.893



Technical data

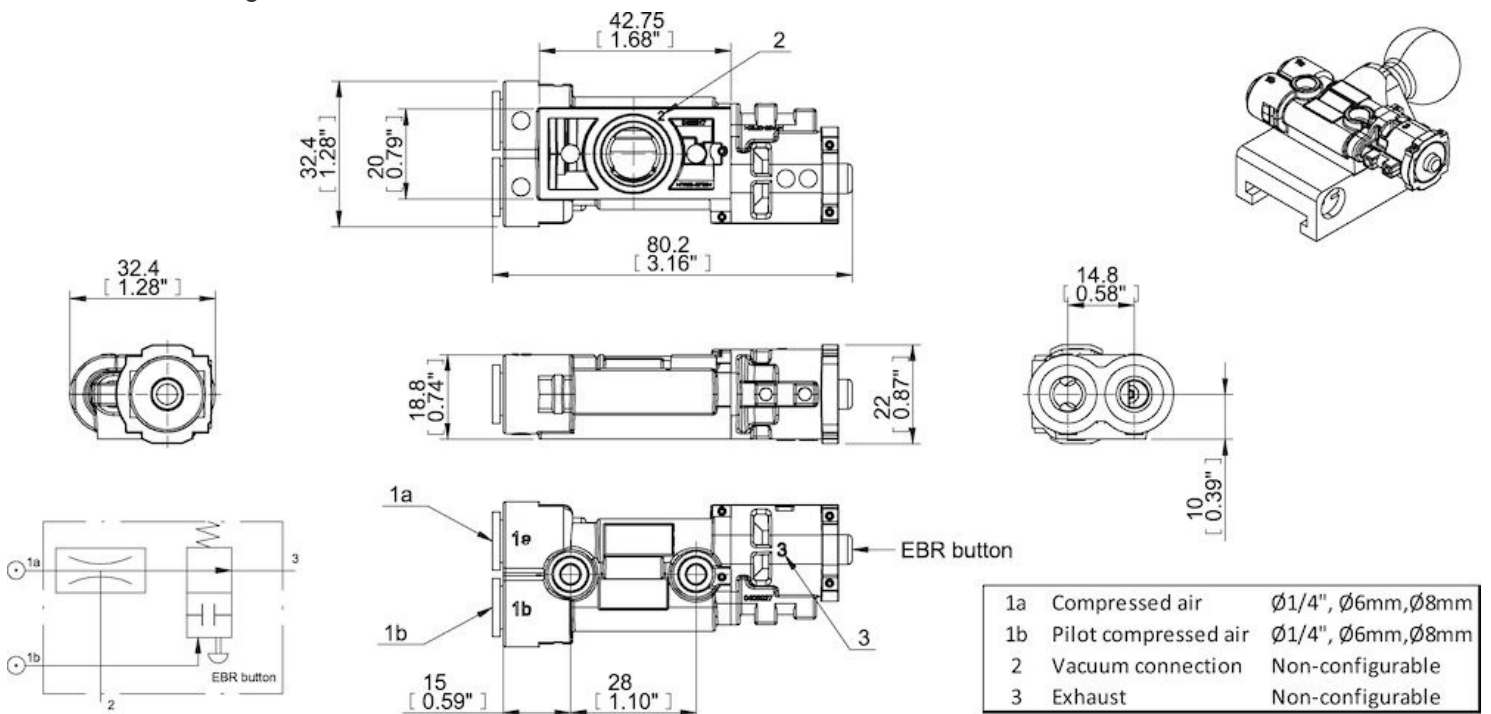
Description	Unit	Value
Material	-	CuZn, HNBR, Nitrile (NBR), PA66, POM, SS, TPE
Temperature, max.	°F	122.0
Temperature, min.	°F	32.0
Weight, min.	oz	1.73
Feed pressure, max.	psi	0.10
Feed pressure, min.	psi	0.044
Noise level, min.	dBA	77
Feed pressure, optimum, max.	psi	0.072
Vacuum, max.	-inHg	24.81
Flow rate, min. (Blow-Off flow at 5 MPa)	scfm	3.39

Performance

Feed pressure psi	Air consumption scfm	Vacuum flow (scfm) at different vacuum levels (-inHg)												Max vacuum psi	
		0	2	5	8	11	14	17	20	23	26	29	32		35
72.5	2.16	0.14	0.12	0.11	0.089	0.074	0.056	0.041	0.024	0	0.0089	0	0	0	≥12.32

Feed pressure psi	Air consumption scfm	Evacuation time (s/cf) to reach different vacuum levels (-inHg)												Max vacuum psi	
		2	5	8	11	14	17	20	23	26	28	29	29		29
72.5	2.16	0.068	0.14	0.23	0.34	0.48	0.65	0.89	1.46	0	0	0	0	0	≥12.32

Dimensional drawings



Values specified in this datasheet are tested at (unless otherwise stated):

- Room temperature (20°C [68°F] ± 3°C [5.5°F]).
- Standard atmosphere (101.3 [29.9 inHg] ± 1.0 kPa [0.3 inHg]).
- Compressed air quality, DIN ISO 8573-1 class 4.

Tolerance and accuracy:

- Feed pressure tolerance ±0.02 MPa [2.9 psi]
- Vacuum flow/evacuation time accuracy ±10%.