

## Suction cup VL30BX, 1/8"NPT-M5

Item number: 02.02.708



- Suitable for level adjustment.
- Several short bellows in one lifting device can handle objects with height differences and varying shapes, for example embossed or corrugated plates
- The lifting movement can be used to separate small and thin objects
- Only light weight objects should be handled when the lifting force is parallel to the surface of the object in order to achieve good precision and safe lifting movement
- Volume discounts available for big packs from 30-99 pieces with an even larger discount for big packs of 100 pieces and above
- PVC-free recyclable material

### Technical data

| Description              | Unit | Value                |
|--------------------------|------|----------------------|
| Suction cup shape        | -    | Bellows              |
| Suction cup design       | -    | Round                |
| Material                 | -    | TPE                  |
| Suction cup model        | -    | BX-P                 |
| Height (B)               | in   | 1.0079               |
| Height 2 (D)             | in   | 0.35                 |
| Inner diameter (C)       | in   | 0.24                 |
| Outer diameter, min. (A) | in   | 1.18                 |
| Fitting size             | -    | 1/8", M5             |
| Fitting option           | -    | None                 |
| Fitting style            | -    | Female/Male          |
| Fitting type             | -    | NPT-thread, M-thread |
| Suction cup model        | -    | VL30BX TPE-U         |

### Performance - Lifting forces

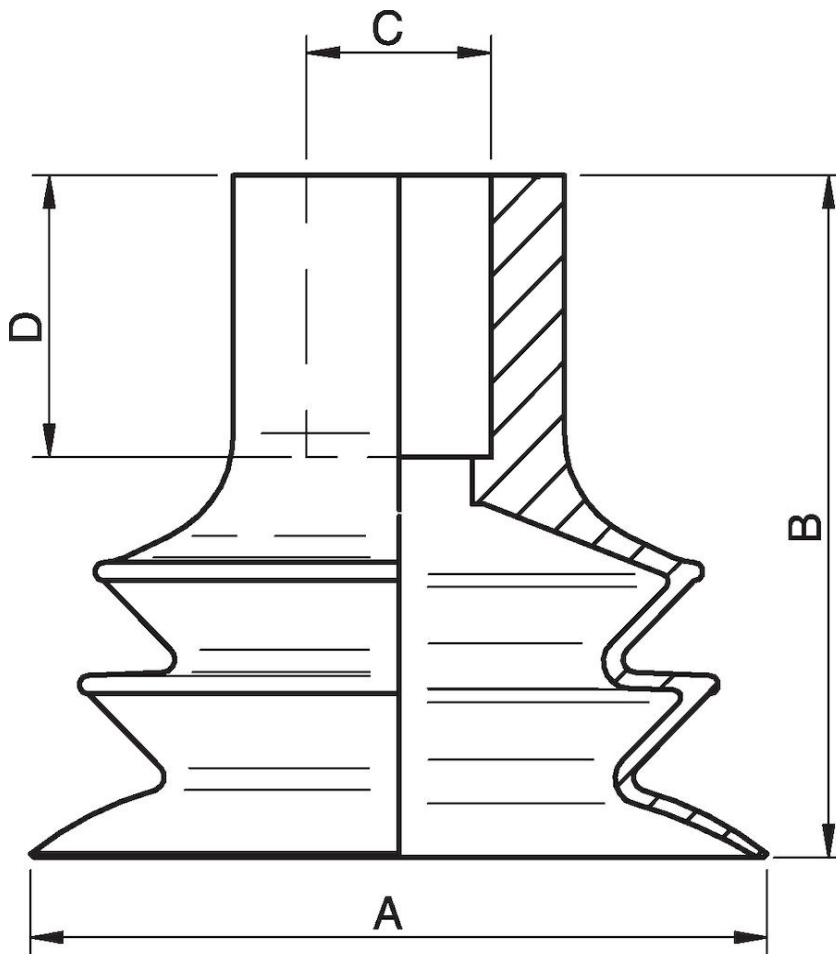
| VL30BX TPE-U | Vertical (lb) | Parallel (lb) |
|--------------|---------------|---------------|
| 14.76 -inHg  | 3.60 N        |               |

| <b>Material</b>        |        |
|------------------------|--------|
| Name                   | TPE-U  |
| Color                  | Purple |
| Temperature, min.   °F | 32.0   |
| Temperature max.   °F  | 140.0  |
| Hardness   °Shore A    | 65     |

### Material resistance

|                    |     |
|--------------------|-----|
| Alcohol            | n/a |
| Concentrated acids | n/a |
| Ethanol            | n/a |
| Hydrolysis         | n/a |
| Methanol           | n/a |
| Oil                | n/a |
| Oxidation          | n/a |
| Gasoline           | n/a |
| Wear resistance    | n/a |
| Weather and ozone  | n/a |

### Dimensional drawings



### Values specified in this data sheet are tested at (unless otherwise stated):

- Room temperature (20°C [68°F] ± 3°C [5.5°F]).
- Standard atmosphere (101.3 [29.9 inHg] ± 1.0 kPa [0.3 inHg]).
- Relative humidity 20-70%.
- Compressed air quality, DIN ISO 8573-1 class 4.

**Accessories**

02.02.156 | Fitting VL D=Ø6, G1/8" - M5

02.02.157 | Fitting VL D=Ø6, G1/4" - G1/8"

02.02.161 | Fitting VL D=Ø6, 1/4" NPT - 1/8" NPSF

**Spare parts**

02.02.160 | Fitting VL D=Ø6, 1/8" NPT - M5

02.02.111 | Suction cup VL30BX