

Datasheet

Suction cup VL25FC, G1/4"-G1/8"

Item number: 02.02.691



- Suitable for flat or slightly corrugated or curved surfaces
- Good stability and little inherent movement
- Recommended when the lifting force is parallel to the surface of the object
- Cleats prevent thin, sensitive objects from being deformed and gives extra friction when the lifting force is parallel
- Volume discounts available for big packs from 30-99 pieces with an even larger discount for big packs of 100 pieces and above
- PVC-free recyclable material

Technical data

Description	Unit	Value
Suction cup shape	-	Flat Concave
Suction cup design	-	Round
Material	-	TPE
Suction cup model	-	FC
Height (B)	in	0.62
Height 2 (D)	in	0.35
Inner diameter (C)	in	0.24
Outer diameter, min. (A)	in	0.98
Fitting size	-	1/8", 1/4"
Fitting option	-	None
Fitting style	-	Female/Male
Fitting type	-	G-thread
Suction cup model	-	VL25FC TPE-U

Performance - Lifting forces

VL25FC TPE-U	Vertical (lb)	Parallel (lb)
14.76 -inHg	3.82 N	

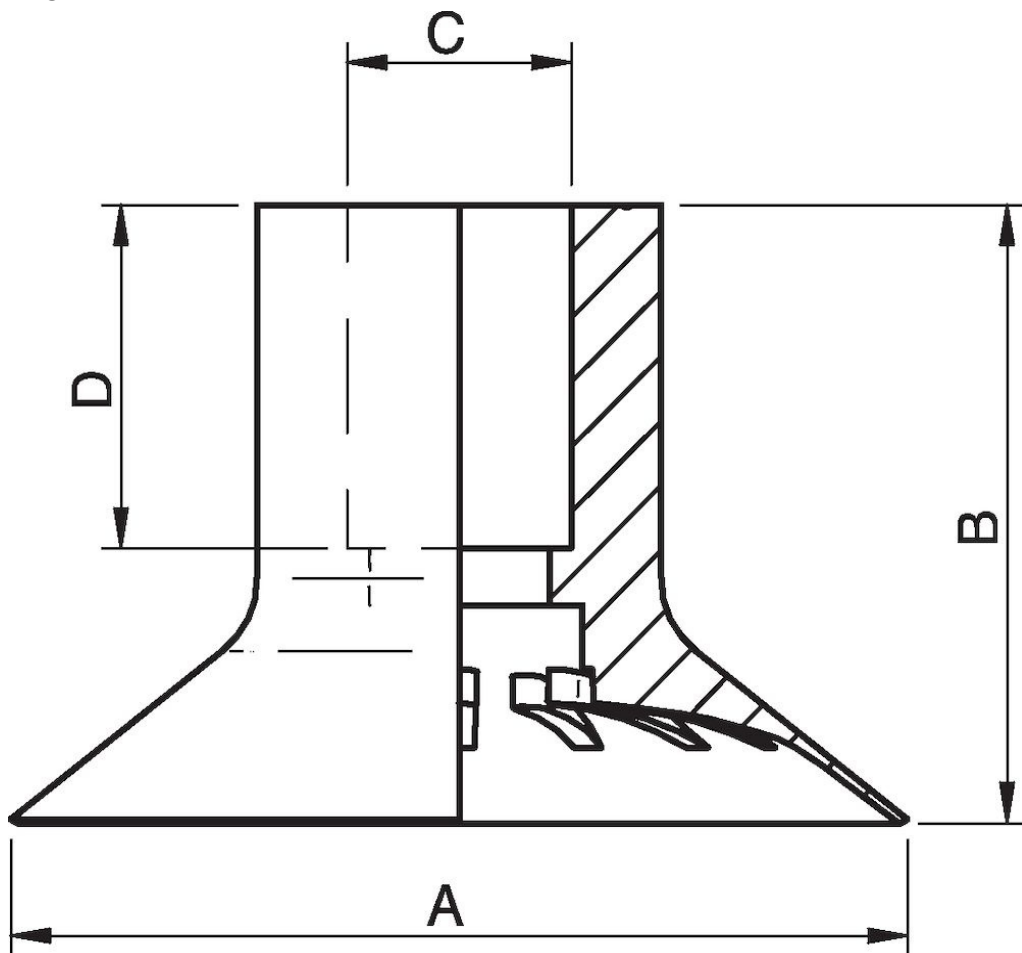
Material

Name	TPE-U
Color	Purple
Temperature, min. °F	32.0
Temperature max. °F	140.0
Hardness °Shore A	65

Material resistance

Alcohol	n/a
Concentrated acids	n/a
Ethanol	n/a
Hydrolysis	n/a
Methanol	n/a
Oil	n/a
Oxidation	n/a
Gasoline	n/a
Wear resistance	n/a
Weather and ozone	n/a

Dimensional drawings



Values specified in this data sheet are tested at (unless otherwise stated):

- Room temperature (20°C [68°F] ± 3°C [5.5°F]).
- Standard atmosphere (101.3 [29.9 inHg] ± 1.0 kPa [0.3 inHg]).
- Relative humidity 20-70%.
- Compressed air quality, DIN ISO 8573-1 class 4.

Accessories

- 02.02.156 | Fitting VL D=Ø6, G1/8" - M5
- 02.02.160 | Fitting VL D=Ø6, 1/8" NPT - M5
- 02.02.161 | Fitting VL D=Ø6, 1/4" NPT - 1/8" NPSF

Spare parts

- 02.02.097 | Suction cup VL25FC
- 02.02.157 | Fitting VL D=Ø6, G1/4" - G1/8"