

Suction cup VL20BX, 1/8"NPT-M5

Item number: 02.02.682



- Suitable for level adjustment.
- Several short bellows in one lifting device can handle objects with height differences and varying shapes, for example embossed or corrugated plates
- The lifting movement can be used to separate small and thin objects
- Only light weight objects should be handled when the lifting force is parallel to the surface of the object in order to achieve good precision and safe lifting movement
- Volume discounts available for big packs from 30-99 pieces with an even larger discount for big packs of 100 pieces and above
- PVC-free recyclable material

Technical data

Description	Unit	Value
Suction cup shape	-	Bellows
Suction cup design	-	Round
Material	-	TPE
Suction cup model	-	BX-P
Height (B)	in	0.77
Height 2 (D)	in	0.35
Inner diameter (C)	in	0.24
Outer diameter, min. (A)	in	0.79
Fitting size	-	1/8", M5
Fitting option	-	None
Fitting style	-	Female/Male
Fitting type	-	NPT-thread, M-thread
Suction cup model	-	VL20BX TPE-U

Performance - Lifting forces

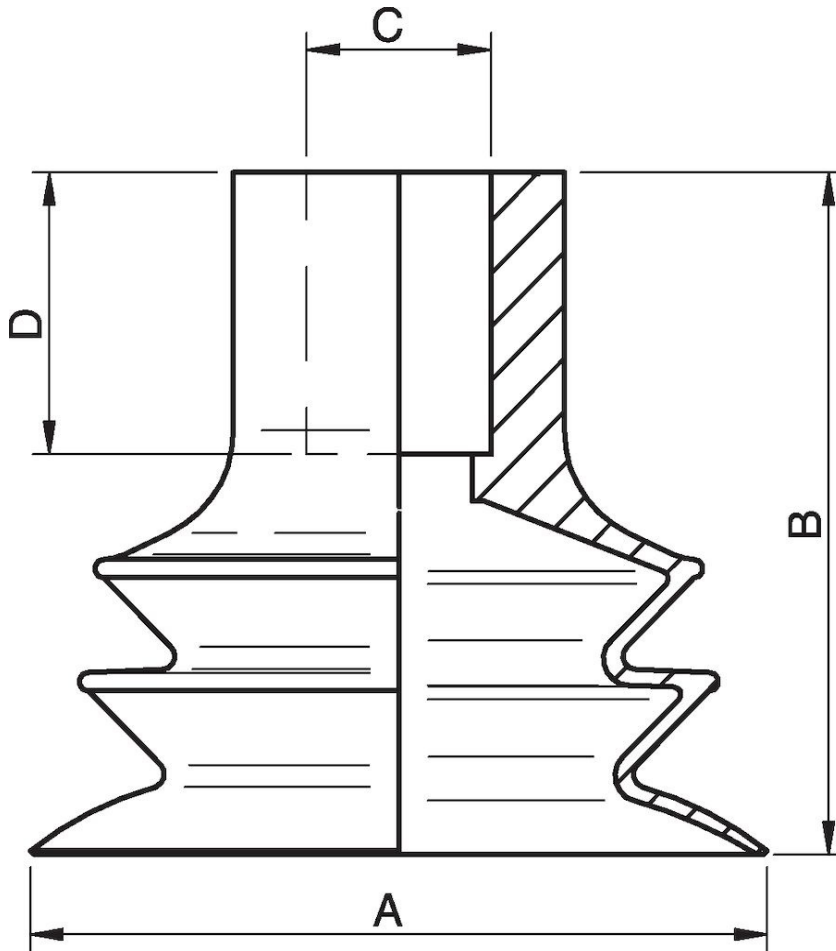
VL20BX TPE-U	Vertical (lb)	Parallel (lb)
14.76 -inHg	1.57 N	

Material	
Name	TPE-U
Color	Purple
Temperature, min. °F	32.0
Temperature max. °F	140.0
Hardness °Shore A	65

Material resistance

Alcohol	n/a
Concentrated acids	n/a
Ethanol	n/a
Hydrolysis	n/a
Methanol	n/a
Oil	n/a
Oxidation	n/a
Gasoline	n/a
Wear resistance	n/a
Weather and ozone	n/a

Dimensional drawings



Values specified in this data sheet are tested at (unless otherwise stated):

- Room temperature (20°C [68°F] ± 3°C [5.5°F]).
- Standard atmosphere (101.3 [29.9 inHg] ± 1.0 kPa [0.3 inHg]).
- Relative humidity 20-70%.
- Compressed air quality, DIN ISO 8573-1 class 4.

Accessories

02.02.156 | Fitting VL D=Ø6, G1/8" - M5

02.02.157 | Fitting VL D=Ø6, G1/4" - G1/8"

02.02.161 | Fitting VL D=Ø6, 1/4" NPT - 1/8" NPSF

Spare parts

02.02.160 | Fitting VL D=Ø6, 1/8" NPT - M5

02.02.109 | Suction cup VL20BX