

Suction cup VL20BX, G1/4"-G1/8"

Item number: 02.02.681



- Suitable for level adjustment.
- Several short bellows in one lifting device can handle objects with height differences and varying shapes, for example embossed or corrugated plates
- The lifting movement can be used to separate small and thin objects
- Only light weight objects should be handled when the lifting force is parallel to the surface of the object in order to achieve good precision and safe lifting movement
- Volume discounts available for big packs from 30-99 pieces with an even larger discount for big packs of 100 pieces and above
- PVC-free recyclable material

Technical data

| Description | Unit | Value |
|--------------------------|------|--------------|
| Suction cup shape | - | Bellows |
| Suction cup design | - | Round |
| Material | - | TPE |
| Suction cup model | - | BX-P |
| Height (B) | in | 0.77 |
| Height 2 (D) | in | 0.35 |
| Inner diameter (C) | in | 0.24 |
| Outer diameter, min. (A) | in | 0.79 |
| Fitting size | - | 1/4", 1/8" |
| Fitting option | - | None |
| Fitting style | - | Female/Male |
| Fitting type | - | G-thread |
| Suction cup model | - | VL20BX TPE-U |

Performance - Lifting forces

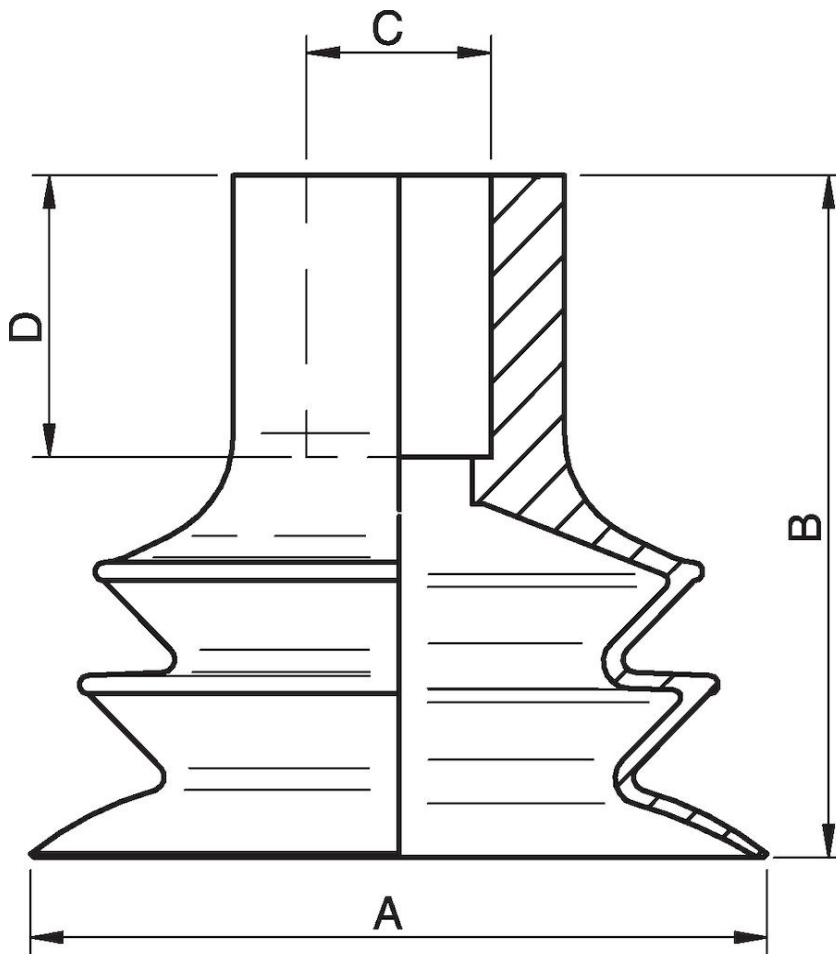
| VL20BX TPE-U | Vertical (lb) | Parallel (lb) |
|--------------|---------------|---------------|
| 14.76 -inHg | 1.57 N | |

| Material | |
|------------------------|--------|
| Name | TPE-U |
| Color | Purple |
| Temperature, min. °F | 32.0 |
| Temperature max. °F | 140.0 |
| Hardness °Shore A | 65 |

Material resistance

| | |
|--------------------|-----|
| Alcohol | n/a |
| Concentrated acids | n/a |
| Ethanol | n/a |
| Hydrolysis | n/a |
| Methanol | n/a |
| Oil | n/a |
| Oxidation | n/a |
| Gasoline | n/a |
| Wear resistance | n/a |
| Weather and ozone | n/a |

Dimensional drawings



Values specified in this data sheet are tested at (unless otherwise stated):

- Room temperature (20°C [68°F] ± 3°C [5.5°F]).
- Standard atmosphere (101.3 [29.9 inHg] ± 1.0 kPa [0.3 inHg]).
- Relative humidity 20-70%.
- Compressed air quality, DIN ISO 8573-1 class 4.

Accessories

02.02.156 | Fitting VL D=Ø6, G1/8" - M5

02.02.160 | Fitting VL D=Ø6, 1/8" NPT - M5

02.02.161 | Fitting VL D=Ø6, 1/4" NPT - 1/8" NPSF

Spare parts

02.02.157 | Fitting VL D=Ø6, G1/4" - G1/8"

02.02.109 | Suction cup VL20BX