

Value Line® T-design vacuum generator 6mm

Item number: 02.02.187



- Ejector with improved vacuum performance compared to corresponding size conventional single-stage ejector.
- Ejector stage without flap valve gives high reliability in dirty and dusty environments.
- Light weight body.
- Integrated push-in fittings or thread connection for quick and low cost installation.
- Available in “Inline”, “T-design” or aluminum block version.
- The T-design is suitable if exhaust air needs to be piped away.
- The VL206 1/8” block version is an easy-to-install alternative, targeting operators of basic automated vacuum systems.

Technical data

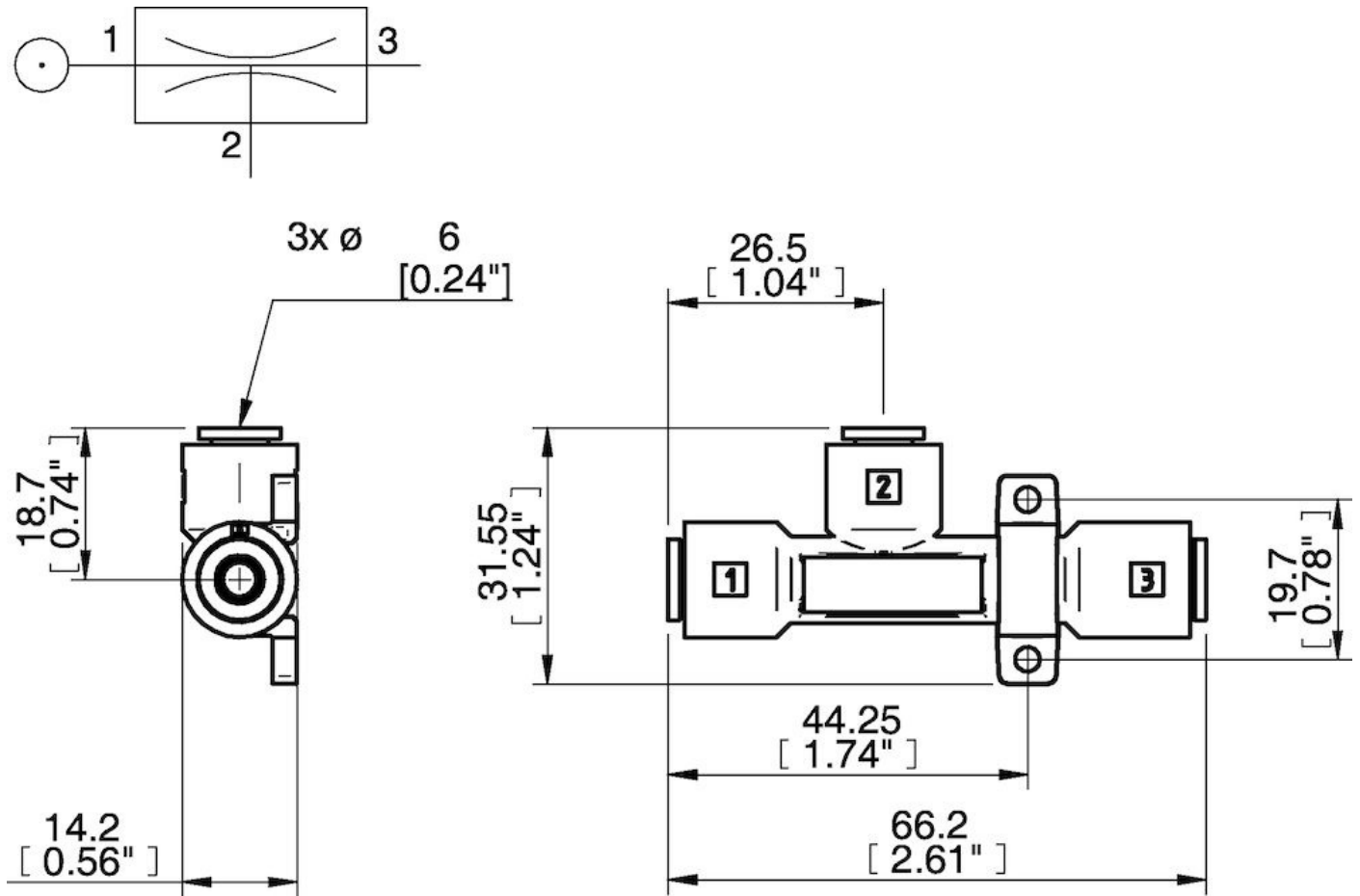
Description	Unit	Value
Material	-	CuZn, Nitrile (NBR), PA, SS
Temperature, max.	°F	176.0
Temperature, min.	°F	14.0
Weight, min.	oz	0.42
Feed pressure, max.	psi	0.10
Noise level, max.	dBA	78
Noise level, min.	dBA	72
Feed pressure, optimum, min.	psi	0.072
Air consumption (at optimum feed pressure)	scfm	0.68

Performance

Feed pressure psi	Air consumption scfm	Vacuum flow (scfm) at different vacuum levels (-inHg)													Max vacuum psi	
		0	2	5	8	11	14	17	20	23	26	29	32	35		
72.5	0.68	0.086	0.077	0.068	0.059	0.044	0.030	0.015	0	0	0	0	0	0	0	≥10.15

Feed pressure psi	Air consumption scfm	Evacuation time (s/cf) to reach different vacuum levels (-inHg)													Max vacuum psi	
		2	5	8	11	14	17	20	23	26	28	29	29	29		
72.5	0.68	0.11	0.23	0.34	0.53	0.77	1.16	0	0	0	0	0	0	0	0	≥10.15

Dimensional drawings



Values specified in this datasheet are tested at (unless otherwise stated):

- Room temperature (20°C [68°F] ± 3°C [5.5°F]).
- Standard atmosphere (101.3 [29.9 inHg] ± 1.0 kPa [0.3 inHg]).
- Compressed air quality, DIN ISO 8573-1 class 4.

Tolerance and accuracy:

- Feed pressure tolerance ±0.02 MPa [2.9 psi]
- Vacuum flow/evacuation time accuracy ±10%.