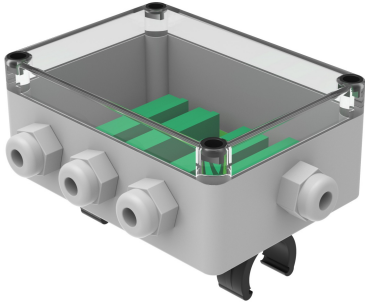


Datasheet

EVB-19-25-1m Pass through junction box

Item number: 0213365



Technical data

Description	Unit	Value
Length (A)	in	4.65
Length (C)	in	0.98

Dimensional drawings

