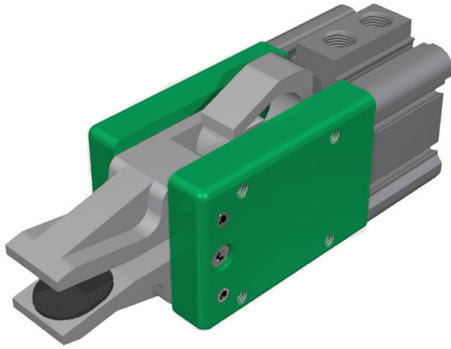


Datasheet

GZ32-AS50-60-60 Sprue/part plier with padded jaws

Item number: 0213356



Technical data

Description	Unit	Value
Length (A)	in	7.28
Length (E)	in	2.95
Length (F)	in	2.95

Dimensional drawings

