

Datasheet

COAX® cartridge MIDI Xi40-3, extra non-return valve, sealings in Viton®

Item number: 01.24.796



- Three-stage COAX® cartridge – MIDI – with high initial vacuum flow.
- Deep end vacuum level, 28.1 -inHg.
- High vacuum flow at deep vacuum levels, 21-28.1 -inHg.
- Quick response time when deep vacuum is needed.
- The all-round characteristics makes it suitable for several type of vacuum applications.
- Used in P5010, P6010, P6040 and VGS™5010.

Technical data

Description	Unit	Value
Material	-	PA, SS, Viton®
Temperature, max.	°F	176.0
Temperature, min.	°F	14.0
Weight, max.	oz	2.23
Weight, min.	oz	1.012
Feed pressure, max.	psi	0.10

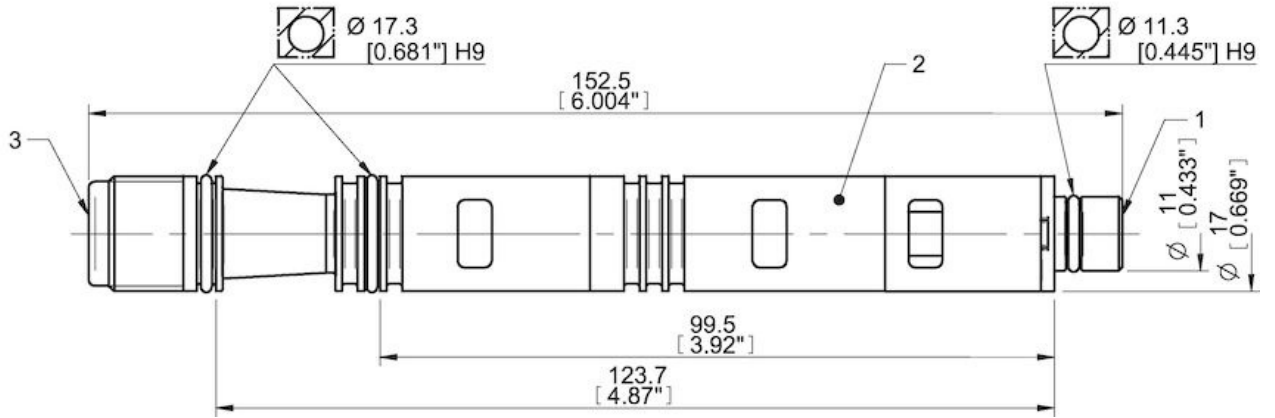
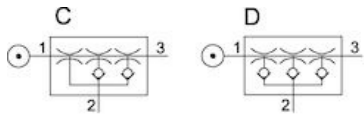
Performance

Feed pressure psi	Air consumption scfm	Vacuum flow (scfm) at different vacuum levels (-inHg)													Max vacuum psi
		0	2	5	8	11	14	17	20	23	26	29	32	35	
65.25	3.88	1.74	0.89	0.59	0.38	0.22	0.17	0.13	0.094	0	0.053	0.0089	0	0	≥13.78
72.5	4.24	1.83	1.093	0.65	0.53	0.38	0.24	0.12	0.089	0	0.041	0.0059	0	0	≥13.63
87.0	4.94	1.74	0.94	0.65	0.47	0.27	0.15	0.12	0.092	0	0.047	0.0089	0	0	≥13.63

Feed pressure psi	Air consumption scfm	Evacuation time (s/cf) to reach different vacuum levels (-inHg)													Max vacuum psi
		2	5	8	11	14	17	20	23	26	28	29	29	29	
65.25	3.88	0.0065	0.018	0.035	0.065	0.11	0.17	0.25	0.35	0.65	0	0	0	0	≥13.78
72.5	4.24	0.0059	0.015	0.030	0.059	0.089	0.12	0.21	0.35	0.71	0	0	0	0	≥13.63
87.0	4.94	0.0059	0.016	0.030	0.050	0.077	0.13	0.21	0.35	0.71	0	0	0	0	≥13.63

Feed pressure psi	Air consumption scfm	Blow flow (scfm) at different pressure levels (-inHg)													Max pressure psi		
		0	2	5	8	11	14	17	20	23	26	29	32	35		38	41
87.0	4.94	1.22	0.90	0.74	0.67	0.57	0.51	0.49	0.47	0.43	0.37	0	0	0	0	0	≥13.63

Dimensional drawings



Values specified in this datasheet are tested at (unless otherwise stated):

- Room temperature (20°C [68°F] ± 3°C [5.5°F]).
- Standard atmosphere (101.3 [29.9 inHg] ± 1.0 kPa [0.3 inHg]).
- Compressed air quality, DIN ISO 8573-1 class 4.

Tolerance and accuracy:

- Feed pressure tolerance ±0.02 MPa [2.9 psi]
- Vacuum flow/evacuation time accuracy ±10%.

Accessories

01.11.976 | Silencer COAX® MIDI

Spare parts

01.24.897 | Spare part kit Midi COAX Viton

01.07.131 | Cartridge holder Midi-3 cpl.