

COAX® cartridge MINI Xi10-2, holding cap

Item number: 01.20.294



- Two-stage COAX® cartridge - MINI - with small mounting dimensions.
- High vacuum flow at deep vacuum levels to 27.8 - inHg.
- Large vacuum flow in relation to energy consumption.
- Quick response time when deep vacuum is needed.
- Good for handling sealed materials.
- Used in VGS™3010 and VGS™3040.

Technical data

Description	Unit	Value
Material	-	Al, Nitrile (NBR), PA, SS
Temperature, max.	°F	176.0
Temperature, min.	°F	14.0
Weight, max.	oz	0.34
Weight, min.	oz	0.092
Feed pressure, max.	psi	0.10

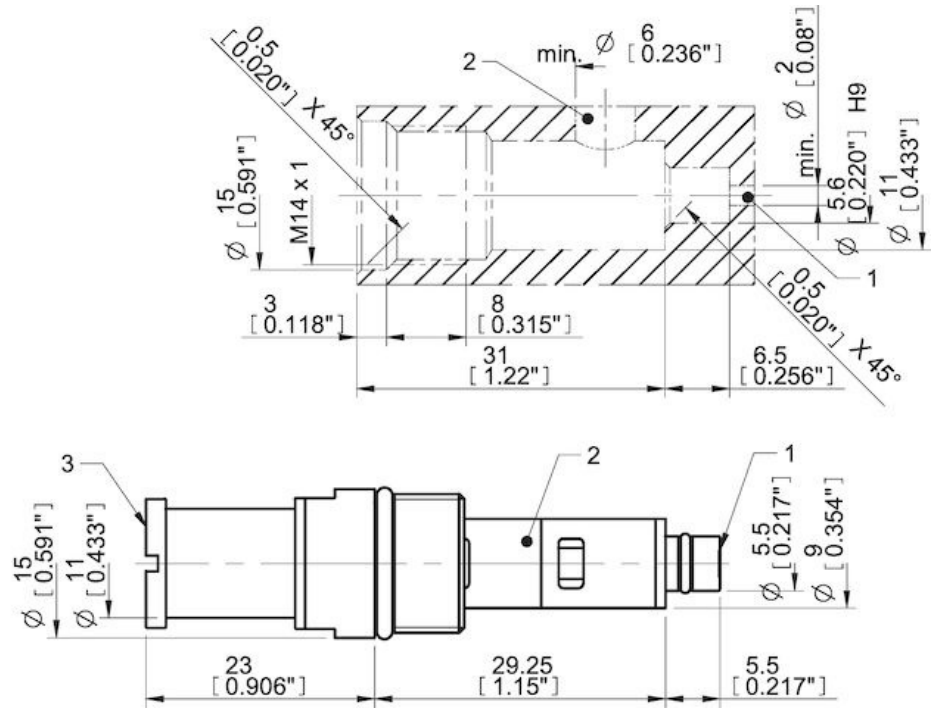
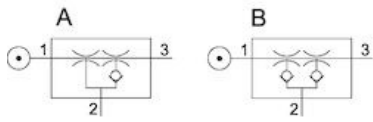
Performance

Feed pressure psi	Air consumption scfm	Vacuum flow (scfm) at different vacuum levels (-inHg)														Max vacuum psi
		0	2	5	8	11	14	17	20	23	26	29	32	35		
65.25	0.89	0.22	0.18	0.13	0.083	0.056	0.044	0.032	0.021	0	0.013	0.00089	0	0	≥13.34	
72.5	0.97	0.22	0.19	0.14	0.097	0.056	0.044	0.032	0.021	0	0.013	0.0032	0	0	≥13.63	
87.0	1.14	0.22	0.19	0.16	0.12	0.089	0.047	0.032	0.024	0	0.012	0.0030	0	0	≥13.48	

Feed pressure psi	Air consumption scfm	Evacuation time (s/cf) to reach different vacuum levels (-inHg)														Max vacuum psi
		2	5	8	11	14	17	20	23	26	28	29	29	29		
65.25	0.89	0.044	0.089	0.18	0.32	0.47	0.68	1.034	1.57	2.83	0	0	0	0	≥13.34	
72.5	0.97	0.041	0.089	0.18	0.30	0.47	0.68	1.034	1.57	2.63	0	0	0	0	≥13.63	
87.0	1.14	0.044	0.089	0.15	0.24	0.38	0.59	0.92	1.42	2.57	0	0	0	0	≥13.48	

Feed pressure psi	Air consumption scfm	Blow flow (scfm) at different pressure levels (-inHg)														Max pressure psi	
		0	2	5	8	11	14	17	20	23	26	29	32	35	38		41
87.0	1.14	0.17	0.17	0.16	0.14	0.12	0.12	0.11	0.10	0.088	0	0	0	0	0	0	≥13.48

Dimensional drawings



Values specified in this datasheet are tested at (unless otherwise stated):

- Room temperature ($20^\circ\text{C} [68^\circ\text{F}] \pm 3^\circ\text{C} [5.5^\circ\text{F}]$).
- Standard atmosphere ($101.3 [29.9 \text{ inHg}] \pm 1.0 \text{ kPa} [0.3 \text{ inHg}]$).
- Compressed air quality, DIN ISO 8573-1 class 4.

Tolerance and accuracy:

- Feed pressure tolerance $\pm 0.02 \text{ MPa} [2.9 \text{ psi}]$
- Vacuum flow/evacuation time accuracy $\pm 10\%$.

Accessories

01.11.977 | Silencer COAX® MINI