

T-connector M12 male, 2xM12 female

Item number: 01.19.558



- Serially connects two or several vacuum switches, VS4128, into one common output to the PLC or BUS-I/O.
- Quick and simple installation with standard male to female M12 eurofast cable assemblies.
- Suitable if the PLC or BUS-I/O is limited to one or two input signals from a vacuum system with several vacuum switches.

Technical data

Description	Unit	Value
Material	-	Thermoplastic Polyurethane (TPE-U), Zn
Temperature, max.	°F	194.0
Temperature, min.	°F	-13.0
Weight, min.	oz	0.88
Current, max.	mA	4000
Safety classification	-	IP65
Voltage, max.	VDC	60
Height	in	1.30
Length	in	0.58
Width	in	2.20
Humidity, max.	% RH	90

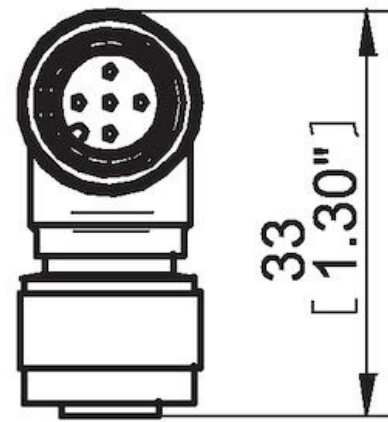
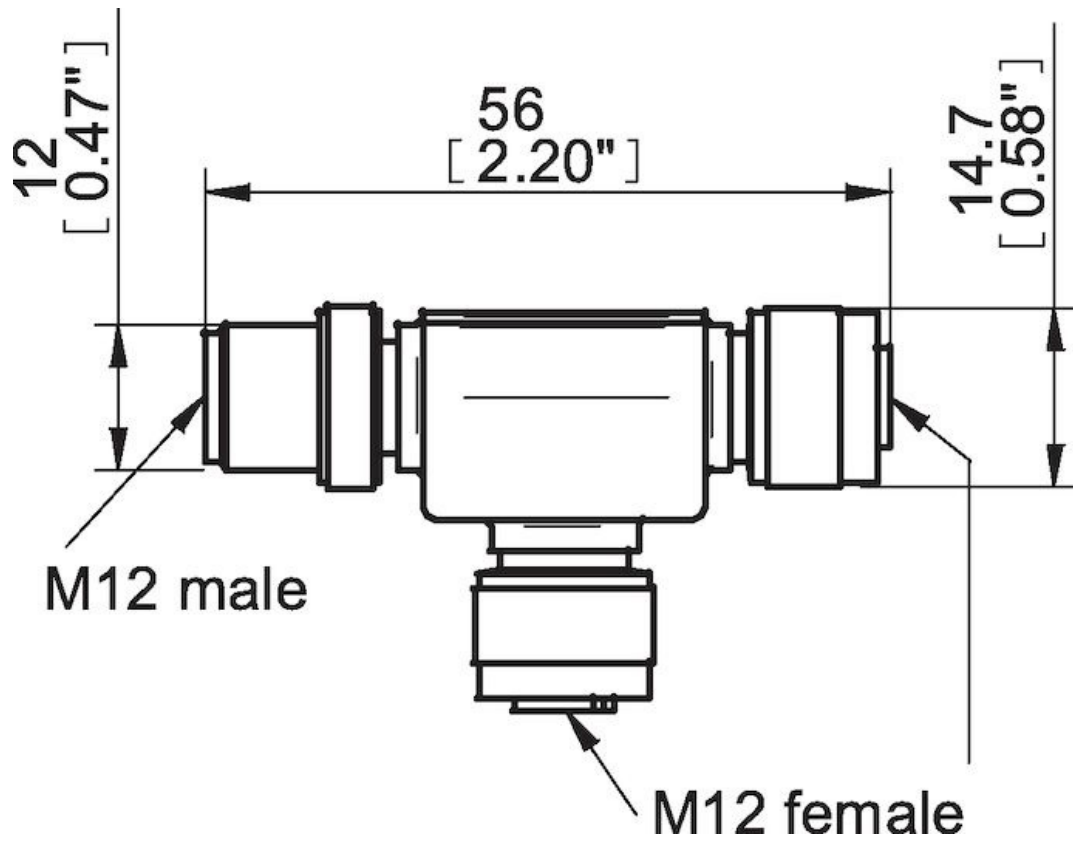
Material

Name	Thermoplastic Polyurethane (TPE-U)
Color	White transparent
Temperature, min. °F	-4.0
Temperature max. °F	176.0
Hardness °Shore A	81

Material resistance

Alcohol	Good
Concentrated acids	Poor
Ethanol	n/a
Hydrolysis	Poor
Methanol	n/a
Oil	Excellent
Oxidation	Good
Gasoline	Poor
Wear resistance	Excellent
Weather and ozone	Excellent

Dimensional drawings



Accessories

01.18.322 | Cable M12 4-pin female, M12 4-pin male, PUR, L=2m