

## COAX® cartridge MICRO Bi03-2

Item number: 01.06.966



- Two-stage COAX® cartridge - MICRO - probably the world's smallest multistage vacuum ejector.
- Vacuum level to 24.5 -inHg at extremely low feed pressure.
- High operational reliability in case of fluctuating or low compressed-air pressure.
- The low weight makes it suitable to integrate close to the suction point in high speed pick-and-place applications of small objects.
- Suitable for handling sealed objects.
- Used in P2010 and VGS™2010.

### Technical data

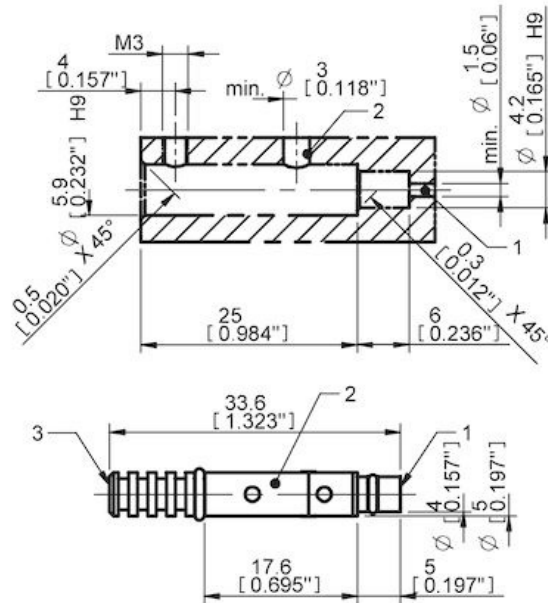
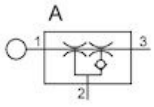
Description	Unit	Value
Material	-	Al, Nitrile (NBR), PA, SS, TPE
Temperature, max.	°F	176.0
Temperature, min.	°F	14.0
Weight, max.	oz	0.081
Weight, min.	oz	0.053
Feed pressure, max.	psi	0.10

### Performance

Feed pressure psi	Air consumption scfm	Vacuum flow (scfm) at different vacuum levels (-inHg)											Max vacuum psi				
		0	2	5	8	11	14	17	20	23	26	29		32	35		
15.95	0.21	0.050	0.030	0.012	0.0080	0.0038	0	0	0	0	0	0	0	0	0	0	≥7.25
26.10	0.30	0.068	0.044	0.018	0.012	0.010	0.0068	0.0038	0.0018	0	0	0	0	0	0	0	≥12.035
31.90	0.36	0.080	0.056	0.027	0.012	0.0074	0.0059	0.0030	0.0015	0	0	0	0	0	0	0	≥11.89

Feed pressure psi	Air consumption scfm	Evacuation time (s/cf) to reach different vacuum levels (-inHg)											Max vacuum psi				
		2	5	8	11	14	17	20	23	26	28	29		29	29		
15.95	0.21	0.21	0.86	1.74	3.25	8.27	0	0	0	0	0	0	0	0	0	0	≥7.25
26.10	0.30	0.15	0.41	1.15	1.89	2.95	4.72	8.27	15.060	0	0	0	0	0	0	0	≥12.035
31.90	0.36	0.12	0.32	0.97	1.89	3.25	5.32	9.45	18.31	0	0	0	0	0	0	0	≥11.89

## Dimensional drawings



Values specified in this datasheet are tested at (unless otherwise stated):

- Room temperature (20°C [68°F] ± 3°C [5.5°F]).
- Standard atmosphere (101.3 [29.9 inHg] ± 1.0 kPa [0.3 inHg]).
- Compressed air quality, DIN ISO 8573-1 class 4.

Tolerance and accuracy:

- Feed pressure tolerance ±0.02 MPa [2.9 psi]
- Vacuum flow/evacuation time accuracy ±10%.